

We exist to help individuals and companies bring their design ideas into reality.

Business Philosophy:

Creative Manufacturing Solutions is devoted to providing the customer with the best service available with the most up to date and cutting-edge technology in use within the industry today.

CREATIVE MANUFACTURING SOLUTIONS

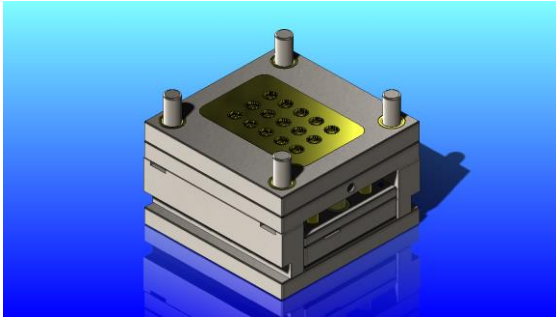
19398 Front St. Leesburg, VA 20176

CREATIVE MANUFACTURING SOLUTIONS

We are in business to make the ideas of our customers become reality, using 3D modeling and design.



CREATIVE MANUFACTURING SOLUTIONS



Who we are and what we do

CREATIVE MANUFACTURING SOLUTIONS is a Computer-Aided Design Drafting firm that specializes in providing mechanical design, 2D drafting and 3D modeling services to the Engineering and Manufacturing communities. Our CAD drafting services range from simple "paper to CAD" conversion and revision changes to part design and "Top-down" 3D assembly modeling. Our goal is to provide you with a comprehensive CAD service that meets your company standards and specifications in the required time frame.

Design experience

While working in the Manufacturing and Engineering field for over 20 years we have gained valuable experience in many diverse areas of industry. Our experience allows us to provide you with the speed and accuracy required to meet your deadlines and complete your projects. Our experience includes;

- 3D part and assembly modeling, Animations & Renderings
- Metal Fabrication, Castings, Sheet metal fabrication, Weldments & CNC programming
- Assembly & Component drawings, Machine shop drawings, GD&T, P&ID's & Assembly Instruction Sheets

SolidWorks Drafting Services

- Convert existing 2D or 3D legacy data into SolidWorks Parts, Assemblies & drawings.
- SolidWorks Drafting Support - Use SolidWorks Part or Assembly files to create ASME Y14.5 standard fabrication drawings.
- Create SolidWorks models from concept sketches, images or written instructions.
- SolidWorks Assembly drawings with exploded views and integrated Bill of Materials.

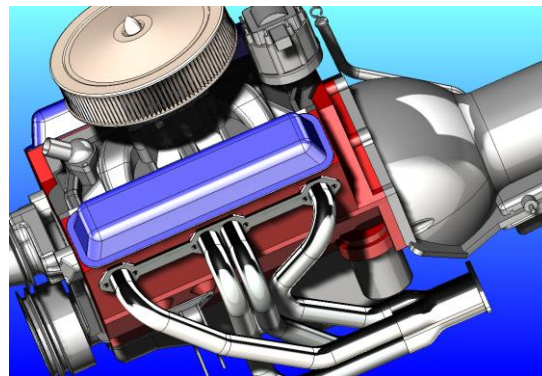
Mechanical Drafting

2D Mechanical Drawings

- Manufacturing & Production Drawing
- Machine Shop Drawings
- Casting & machined Drawings
- Sheet Metal "Flat Sheet" form Drawings
- Weldment Drawings

Assembly Drawings

- Assembly Instruction Sheets
- Assembly Drawings with integrated B.O.M.
- Isometric Views & Exploded Isometric Views



Our Customers range from the inventor to manufacturing companies: **CREATIVE MANUFACTURING SOLUTIONS** is your one stop business that completes your needs on-time and within budget through unmatched quality.

Key Offerings

We offer design consulting to finished manufacturing ready prints and documentation.

We assist from concept to patent ready documentation, while guiding you through the process.

Satisfied Customers

"I hire Creative Manufacturing Solutions exclusively to draft and design aftermarket agricultural implement parts that are manufactured for my company. I have had great results and would highly recommend his services to anyone seeking good work at a reasonable price."
-Tom, All-Crop Harvester

Contact Us

CREATIVE MANUFACTURING SOLUTIONS

19398 Front St.
Leesburg, VA 20176

(717) 614-5465
info@cmfgsolutionsllc.com

Visit us on the Web:
<http://cmfgsolutionsllc.com>